

RUGGED.

DOCKING STATIONS AND VEHICLE MOUNTS



Panasonic Toughbook 27/28/29/30** Docking Station and USB/Ethernet Hub

Antenna Pass-Through	Locking Type	Weight (includes USB Hub)	Docking Station Height	Docking Station Width	Docking Station Depth	USB Hub Height	USB Hub Width	USB Hub Depth
Dual RF (TNC)	Optional - keyed alike. Push button key lock, releases cam lever and disengages docking connector	11.44 lbs	4.12"	11.75"	12.25"	1.62"	7.0"	4.5"

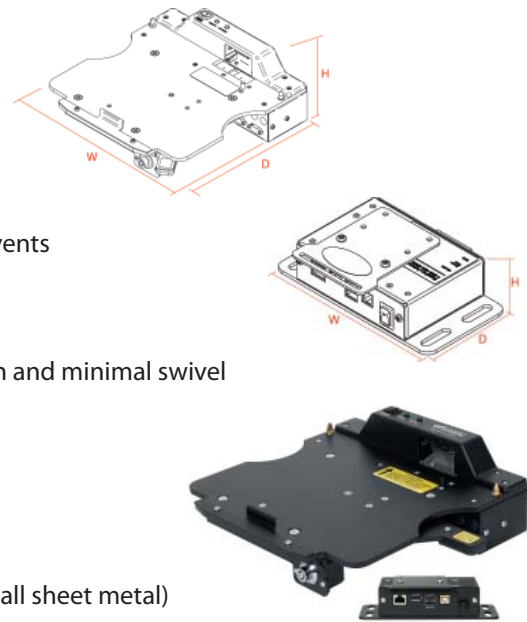
Docking Station Features

- Toughbook Tested by Panasonic for compatibility and functionality; warranted to Toughbook standards
- Designed using MIL-STD-810F test procedures
- UL approved; Complies with FCC Class A standards
- Universal design works with Toughbook 27/28/29/30** computers
- Internal/protected circuit board protects against dirt and dust
- Interlocking mechanism protects against connector damage and prevents engagements until properly mounted
- Brass locating pins for precise computer placement
- Floating docking connector for reliable docking connection
- Forward facing ports for low mounting capability, minimal cable strain and minimal swivel resistance
- Indicator lights on the dock (Power, Ready and Docked) for troubleshooting docking issues in the field quickly
- Quick disconnect added to power cables
- USB 2.0 compliant
- 3 year limited warranty (printed circuit board, docking connector and all sheet metal)
- Can be used with most **Motion Attachments**
- Heavy gauge steel construction for long-term durability
- Black powdercoat finish for maximum corrosion resistance

**CF-30 only - Depending on temperature extremes, screen brightness may be slightly reduced.

USB/Ethernet Hub Features

- Provides 3 Hi-Speed USB 2.0 ports and one Ethernet port for high-speed connectivity needs
- Fully compliant to USB 2.0 specifications and provides a data transfer rate of up to 480 Mbps
- Is backwards compatible with USB 1.1 devices
- Includes a 6 ft. USB 2.0 A-B cable



3001 Borham Ave
Stevens Point, WI 54481
Phone: 800-456-6868
Fax: 715-344-8845

Email: gamberj@gamberjohnson.com
Website: www.gamberjohnson.com



RUGGED.

DOCKING STATIONS AND VEHICLE MOUNTS

Panasonic Toughbook 27/28/29/30** Docking Station and USB/Ethernet Hub

Docking Station Electronics

Port Replicator

- | | |
|---------------------------|-------------------|
| - Serial (2) | D-sub 9 pin |
| - Parallel (1) | D-sub 25 pin |
| - USB (1) | 4 pin |
| - External video | D-sub 15 pin |
| - External keyboard/mouse | Mini-DIN 6 pin |
| - Headphones/speakers | Stereo phono jack |
| - Microphone | Mono phono jack |

Internal Power Supply

- | | |
|---|-------------------------------|
| - Operating Temperature: -20°C to 60°C (-4° F to 140° F) | |
| - Input Voltage: 11V DC - 15V DC (can be used with AC/DC adapter) | |
| - Output Voltage: 15.6V DC factory set | |
| - Under Voltage Protection | - Docked indicator light |
| - Over Voltage Protection | - Output Amp |
| - Auto Shutdown circuit | - Input fused |
| - Reverse Voltage Protection | - Load dump |
| - Output Voltage Protection | - Surge suppression |
| - Wired for switch bypass option | - Output current limit |
| - LED power indicator switch | - Automatic temperature reset |



****CF-30 only - Depending on temperature extremes, screen brightness may be slightly reduced.**

USB/Ethernet Hub Electronics

- | | |
|-----------------------------|---------------------------------|
| Operating Systems Support | Windows 2000, ME, XP, Vista |
| Ports | 3 downstream, 1 upstream |
| Transfer Rate | 480 Mbps |
| USB Specification | USB 2.0 compliant |
| Input Voltage | 9V DC to 28V DC |
| LED Power Indicator Switch | Yes |
| Humidity range | 20-80% RH, (Non Condensing) |
| Operating temperature range | 0°C to 70°C (32°F to 158°F) |
| Storage temperature range | -40°C to 150°C (-40°F to 300°F) |



Item No. **NP-PANDOCK-2H**



3001 Borham Ave
Stevens Point, WI 54481
Phone: 800-456-6868
Fax: 715-344-8845

Email: gamber@gamberjohnson.com
Website: www.gamberjohnson.com